

LED-Kennzeichenleuchte Modell 151

Part no. AL-565-15124

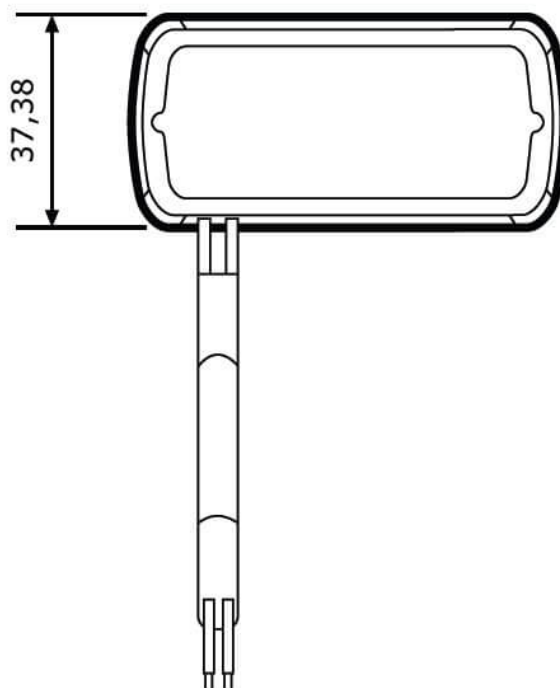
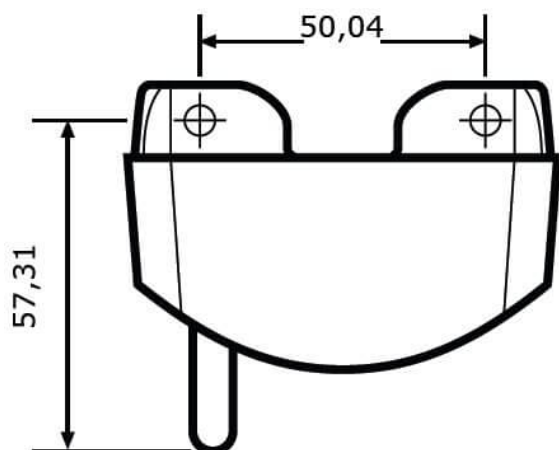


12-24 V, LED, white, with ECE compliance (Reg. 4)

Specifications

Voltage range (V), nominal	12-24
Voltage range (V), functional	
Power consumption (W)	0,84
Load capacity	
Temperature range (°C)	-40 bis 65
Brightness	
Brightness (raw lm)	
Brightness (effective lm)	
Brightness (cd)	
Brightness (lx)	
Performance class	
Beam pattern/lens	Nummernschildbeleuchtung
Beam angle [°]	
Colour Temperature (K)	
Others	
Ingress protection	
Resistivity	
Standards	FMVSS 108, CMVSS 108, ECE (Reg. 4, 50)
Electromagnetic Compatibility	
Transient spike protection	

Dimensions



Mounting

Mounting type	Flachmontage
Installation dimensions/diameter [mm]	
Installation depth [mm]	
Connector	Kabel
Mating connector	
Reverse polarity protection	1
Black wire	Masse
Red wire	Nummernschildbeleuchtung

LED-Kennzeichenleuchte Modell 151

Part no. AL-565-15124

Others

Material (Housing)	ABS-Kunststoff
Material (Diffusing lens)	Acryl
Color (Housing)	Schwarz
Color (Mount)	
Color (Diffusing lens)	Klar

Beam pattern

Variants

AL-565-15124	12-24 V, LED, weiß, mit ECE-Straßenzulassung (Reg. 4)
--------------	---

Accessories