

Part no. AL-863-12512

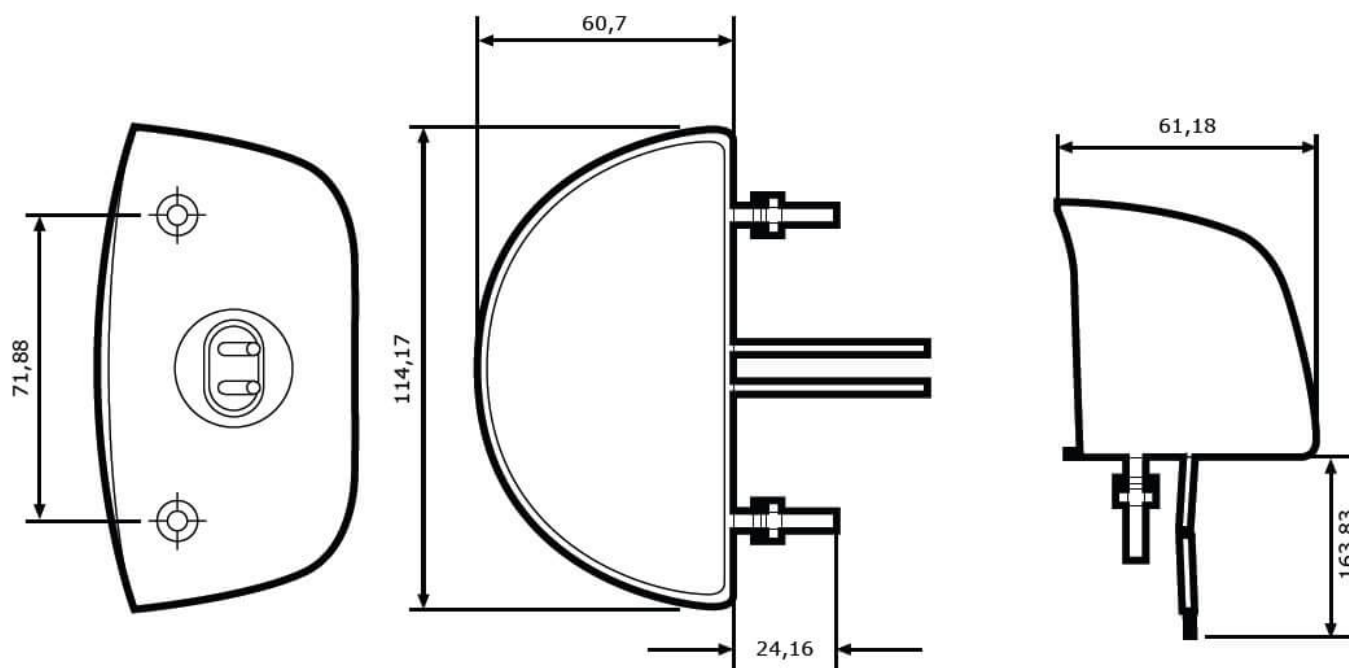


12-24 V, with ECE compliance (Reg. 4)

Specifications

Voltage range (V), nominal	12-24
Voltage range (V), functional	
Power consumption (W)	2,76
Load capacity	
Temperature range (°C)	-40 bis 65
Brightness	
Brightness (raw lm)	
Brightness (effective lm)	
Brightness (cd)	
Brightness (lx)	
Performance class	
Beam pattern/lens	Nummernschildbeleuchtung
Beam angle [°]	
Colour Temperature (K)	5000
Others	
Ingress protection	IP67
Resistivity	
Standards	ECE (Reg. 4, 50), SAE J587
Electromagnetic Compatibility	
Transient spike protection	

Dimensions



Mounting

Mounting type	Flachmontage, M5-0,8x30 (2x)
Installation dimensions/diameter [mm]	
Installation depth [mm]	
Connector	Kabel
Mating connector	
Reverse polarity protection	1
Yellow wire	(2x) keine Polarität

LED-Kennzeichenleuchte Modell 125

Part no. AL-863-12512

Others

Material (Housing)	Polycarbonat
Material (Diffusing lens)	Polycarbonat
Color (Housing)	Schwarz
Color (Mount)	
Color (Diffusing lens)	Weiß

Beam pattern

Variants

AL-863-12512	12-24 V, mit ECE-Straßenzulassung (Reg. 4)
---------------------	--

Accessories