

Part no. AL-866-41712

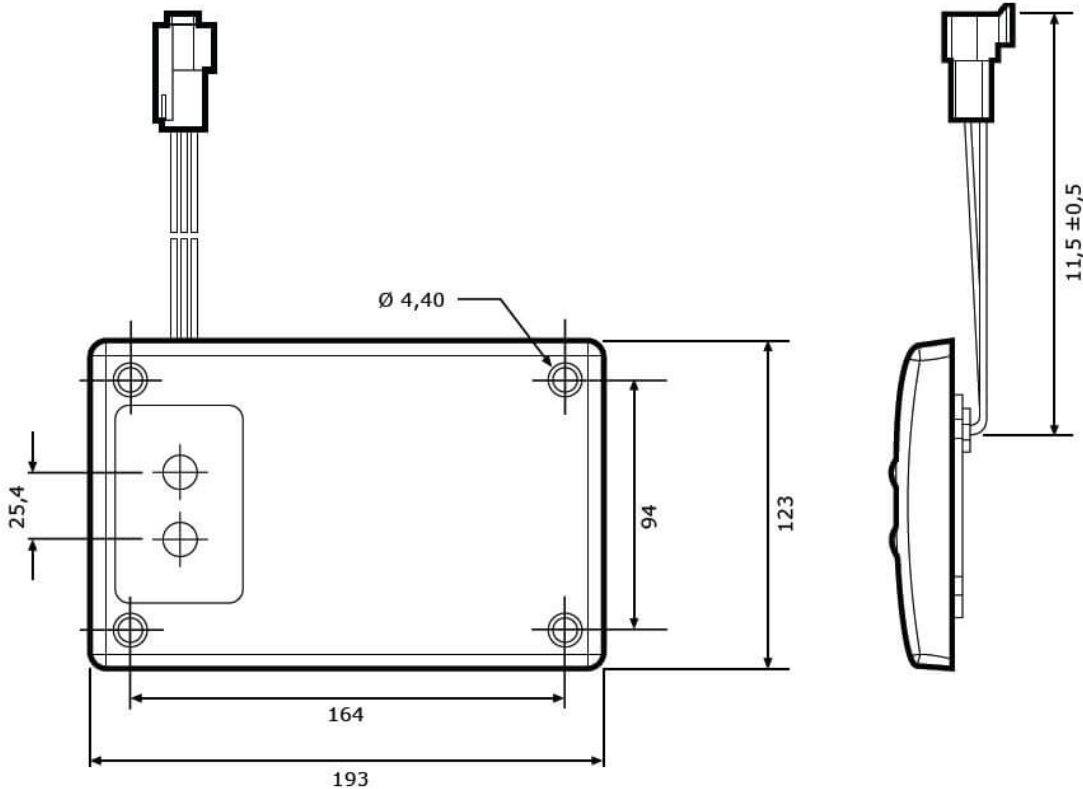


12 V, white/red

Specifications

Voltage range (V), nominal	12
Voltage range (V), functional	
Power consumption (W)	2,1 (rot x2), 3,9 (weiß x4), 0,3 (weiß x1)
Load capacity	
Temperature range (°C)	-40 bis 65
Brightness	
Brightness (raw lm)	
Brightness (effective lm)	
Brightness (cd)	
Brightness (lx)	
Performance class	
Beam pattern/lens	Innenraumbeleuchtung
Beam angle [°]	
Colour Temperature (K)	
Others	
Ingress protection	
Resistivity	

Dimensions



Mounting

Mounting type	
Installation dimensions/diameter [mm]	
Installation depth [mm]	
Connector	Deutsch-Stecker (DT04-3P)
Mating connector	Deutsch-Stecker (DT06-3S)
Reverse polarity protection	1
Black wire	Masse
Red wire	Innenleuchte
Grey wire	Türkontakt

Part no. AL-866-41712

Others

Material (Housing)	Acryl
Material (Diffusing lens)	Polycarbonat
Color (Housing)	Schwarz
Color (Mount)	
Color (Diffusing lens)	Weiß

Variants

AL-866-41712	12 V, weiß/rot
AL-867-41724	24 V, weiß/rot

Accessories