

LED-Arbeitsscheinwerfer Modell 783 XD

Part no. AS-1393-78111



12-48 V, 485 lm, flood

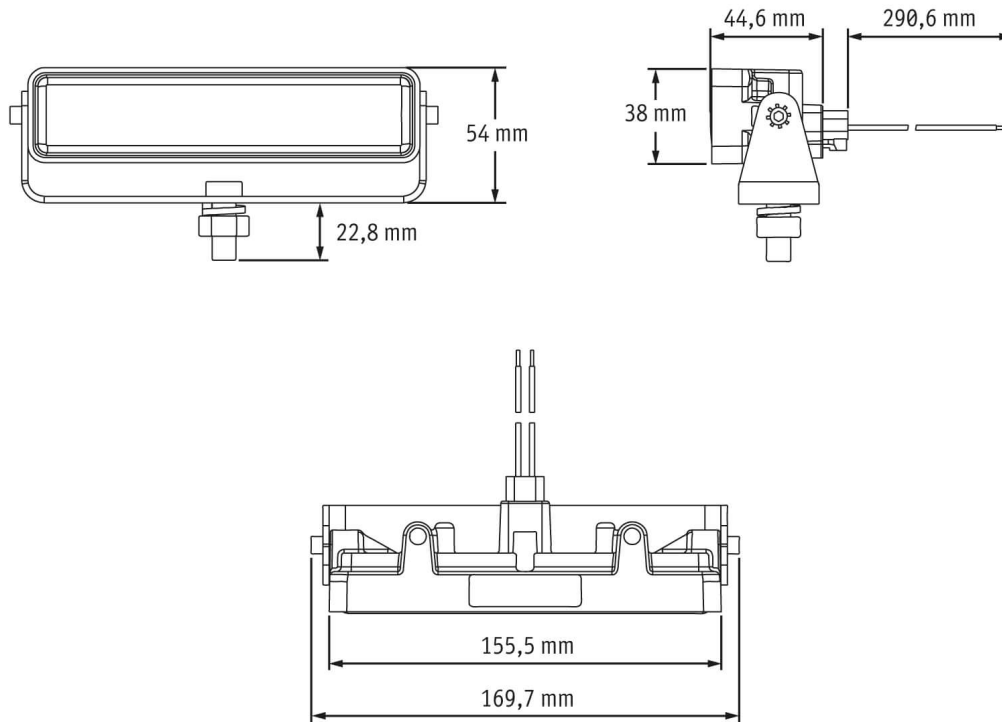
Specifications

Voltage range (V), nominal	12-48
Voltage range (V), functional	9-60
Power consumption (W)	12
Load capacity	
Temperature range (°C)	-40 bis 65
Brightness	
Brightness (raw lm)	
Brightness (effective lm)	485
Brightness (cd)	1409
Brightness (lx)	
Performance class	bis 1000 lm eff.
Beam pattern/lens	Geländeausleuchtung
Beam angle [°]	
Colour Temperature (K)	5000
Others	
Ingress protection	IP67
Resistivity	

LED-Arbeitsscheinwerfer Modell 783 XD

Part no. AS-1393-78111

Dimensions



Mounting

Mounting type	Universalhalterung, 3/8"-16x1,5"
Installation dimensions/diameter [mm]	
Installation depth [mm]	
Connector	Deutsch-Stecker (DT04-2P)
Mating connector	Deutsch-Stecker (DT06-2S)
Reverse polarity protection	1
Black wire	Masse
Red wire	Arbeitsscheinwerfer

LED-Arbeitsscheinwerfer Modell 783 XD

Part no. AS-1393-78111

Others

Material (Housing)	Polycarbonat
Material (Diffusing lens)	Polycarbonat
Color (Housing)	Schwarz
Color (Mount)	
Color (Diffusing lens)	Weiß

Variants

AS-1393-78111	12-48 V, 485 lm, Geländeausleuchtung
AS-1394-78141	12-48 V, 485 lm, vertikale Geländeausleuchtung

Accessories