

Part no. AS-1494-79111

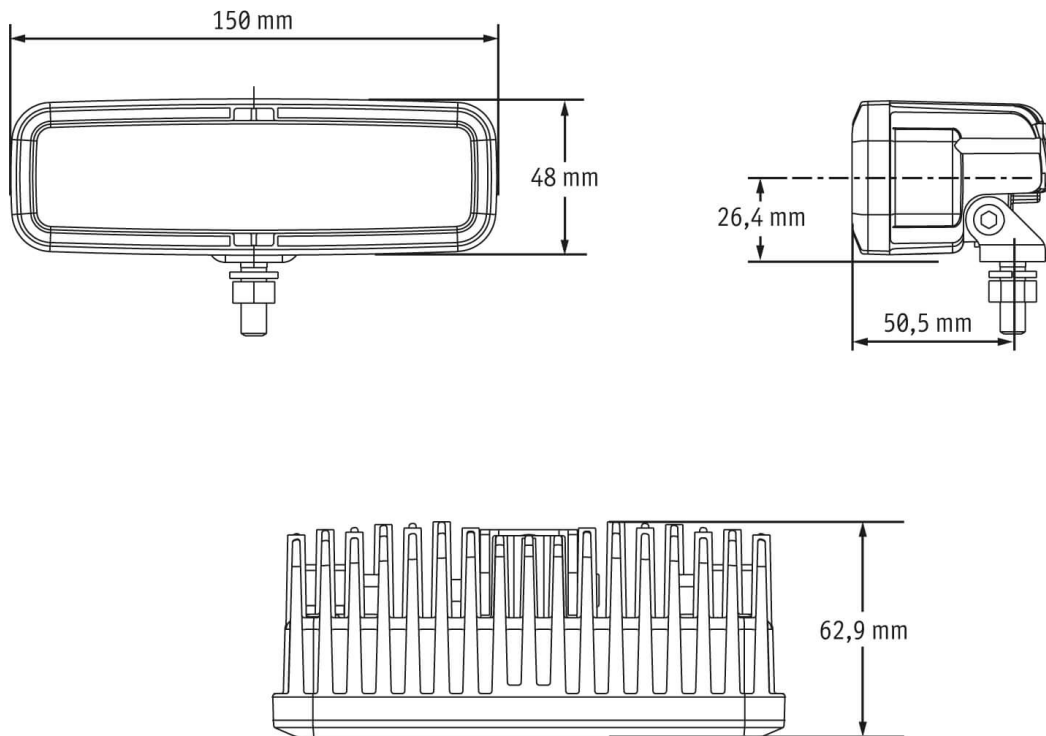


12-24 V, 1200 lm, flood

Specifications

| | |
|--------------------------------------|------------------------|
| Voltage range (V), nominal | 12-24 |
| Voltage range (V), functional | 9-32 |
| Power consumption (W) | 15,24-18,72 |
| Load capacity | |
| Temperature range (°C) | -40 bis 65 |
| Brightness | |
| Brightness (raw lm) | |
| Brightness (effective lm) | 1200 |
| Brightness (cd) | |
| Brightness (lx) | |
| Performance class | 1000 bis 3000 lm eff. |
| Beam pattern/lens | Geländeausleuchtung |
| Beam angle [°] | |
| Colour Temperature (K) | 5000 |
| Others | |
| Ingress protection | IP67 |
| Resistivity | |
| Standards | |
| Electromagnetic Compatibility | |
| Transient spike protection | 150 V @ 1 Hz-100 Pulse |

Dimensions



Mounting

| | |
|---------------------------------------|---------------------------|
| Mounting type | Universalhalterung |
| Installation dimensions/diameter [mm] | |
| Installation depth [mm] | |
| Connector | Deutsch-Stecker (DT04-2P) |
| Mating connector | Deutsch-Stecker (DT06-2S) |
| Reverse polarity protection | 1 |
| Black wire | Masse |
| Red wire | Arbeitsscheinwerfer |

Part no. AS-1494-79111

Others

| | |
|---------------------------|-----------|
| Material (Housing) | Aluminium |
| Material (Diffusing lens) | Glas |
| Color (Housing) | Schwarz |
| Color (Mount) | Chrom |
| Color (Diffusing lens) | Klar |

Beam pattern

Variants

| | |
|---------------|---------------------------------------|
| AS-1494-79111 | 12-24 V, 1200 lm, Geländeausleuchtung |
|---------------|---------------------------------------|

Accessories