

# LED-Arbeitsscheinwerfer Modell 775 XD

**Part no. AS-2033-77511**

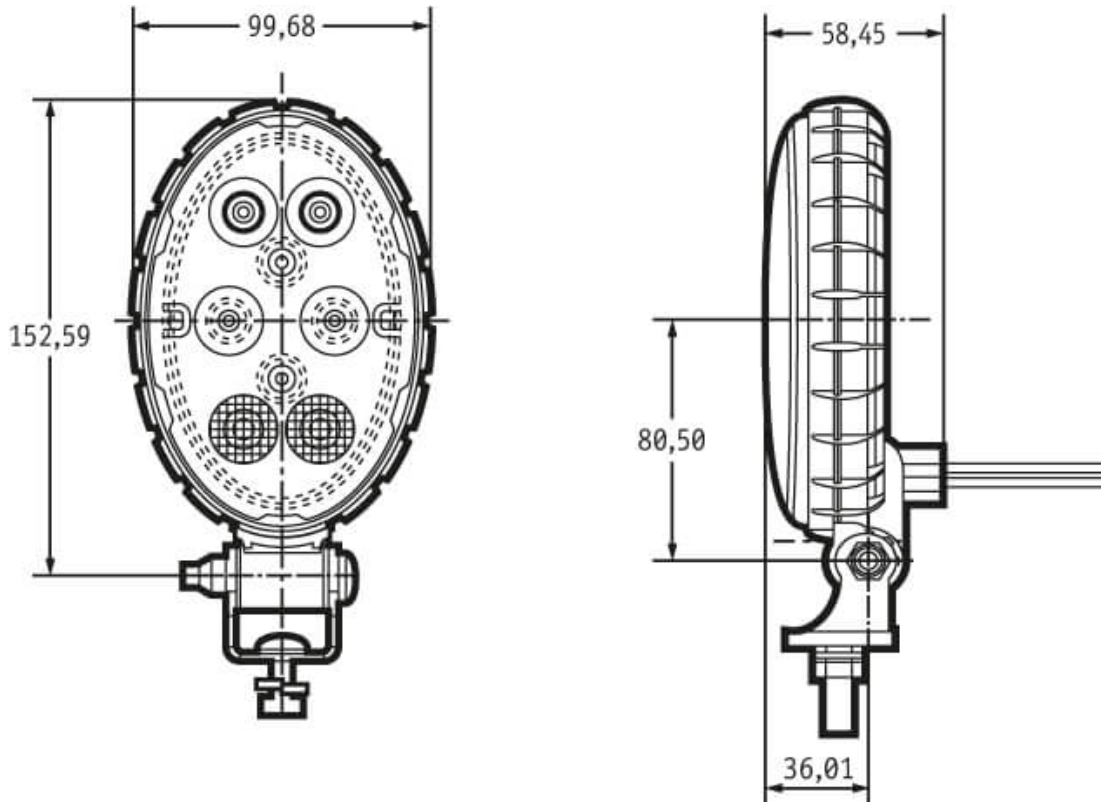


12-48 V, spot, with turn signal and position light, ECE road approval (Reg. 6)

## Specifications

<b>Voltage range (V), nominal</b>	12-48
<b>Voltage range (V), functional</b>	9-60
<b>Power consumption (W)</b>	13,4-15,0 (Arbeits.), 2,16-3,36 (Blinker), 0,18-0,48 (Standl.)
<b>Load capacity</b>	0,3-1,25
<b>Temperature range (°C)</b>	-40 bis 65
<b>Brightness</b>	
<b>Brightness (raw lm)</b>	600
<b>Brightness (effective lm)</b>	400
<b>Brightness (cd)</b>	
<b>Brightness (lx)</b>	
<b>Performance class</b>	bis 1000 lm eff.
<b>Beam pattern/lens</b>	
<b>Beam angle [°]</b>	
<b>Colour Temperature (K)</b>	5000
<b>Others</b>	
<b>Ingress protection</b>	IP67
<b>Resistivity</b>	
<b>Standards</b>	ECE (Reg. 6), UL, CISPR (12, 22)
<b>Electromagnetic Compatibility</b>	ECE (Reg. 10)
<b>Transient spike protection</b>	330 V @ 1 Hz-100 Pulse

## Dimensions



## Mounting

Mounting type	Universalhalterung, 5/16"
Installation dimensions/diameter [mm]	
Installation depth [mm]	
Connector	Deutsch-Stecker (DT04-4P) integriert
Mating connector	Deutsch-Stecker (DT06-4S)
Reverse polarity protection	1
Black wire	Masse
Red wire	Positionsleuchte
Yellow wire	Fahrtrichtungsanzeiger
White wire	Arbeitscheinwerfer

# LED-Arbeitsscheinwerfer Modell 775 XD

**Part no. AS-2033-77511**

## Others

Material (Housing)	Polycarbonat
Material (Diffusing lens)	Polycarbonat
Color (Housing)	Schwarz
Color (Mount)	
Color (Diffusing lens)	Klar

## Beam pattern

## Variants

AS-2033-77511	12-48 V, Spot, mit Fahrtrichtungsanzeiger und Standlicht, ECE-Straßenzulassung (Reg. 6)
---------------	---

## Accessories