

Part no. BL-2296-51511

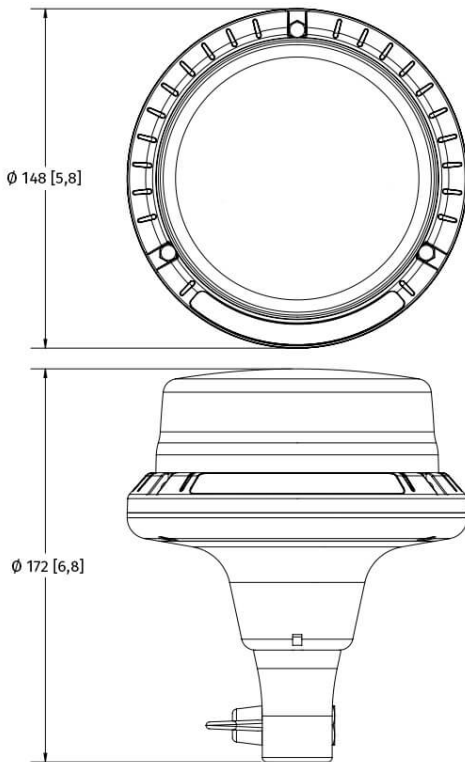


EB5103, 12-24 V, amber, pole mount (DIN)

Specifications

Voltage range (V), nominal	12-24
Voltage range (V), functional	10-32
Power consumption (W)	60
Load capacity	
Temperature range (°C)	-30 bis 50
Brightness	SAE Kl. I
Brightness (raw lm)	
Brightness (effective lm)	
Brightness (cd)	
Brightness (lx)	
Performance class	
Beam pattern/lens	
Beam angle [°]	
Colour Temperature (K)	
Frequency, revolutions (Hz, rpm, fpm)	12 versch. Blitzmuster10
Others	
Ingress protection	IP69K
Resistivity	
Standards	ECE (Reg. 65)
Electromagnetic Compatibility	ECE (Reg. 10), CISPR 25 Class 3
Transient spike protection	

Dimensions



Mounting

Mounting type	Rohrmontage (DIN)
Installation dimensions/diameter [mm]	
Installation depth [mm]	
Connector	
Mating connector	
Reverse polarity protection	0
Socket	

Part no. BL-2296-51511

Others

Material (Housing)	Aluminium
Material (Diffusing lens)	Polycarbonat
Color (Housing)	Schwarz
Color (Mount)	
Color (Diffusing lens)	Orange

Beam pattern

Variants

BL-2296-51511	EB5103, 12-24 V, orange, Rohrmontage (DIN)
----------------------	--

Accessories