

Part no. CB-101-12581

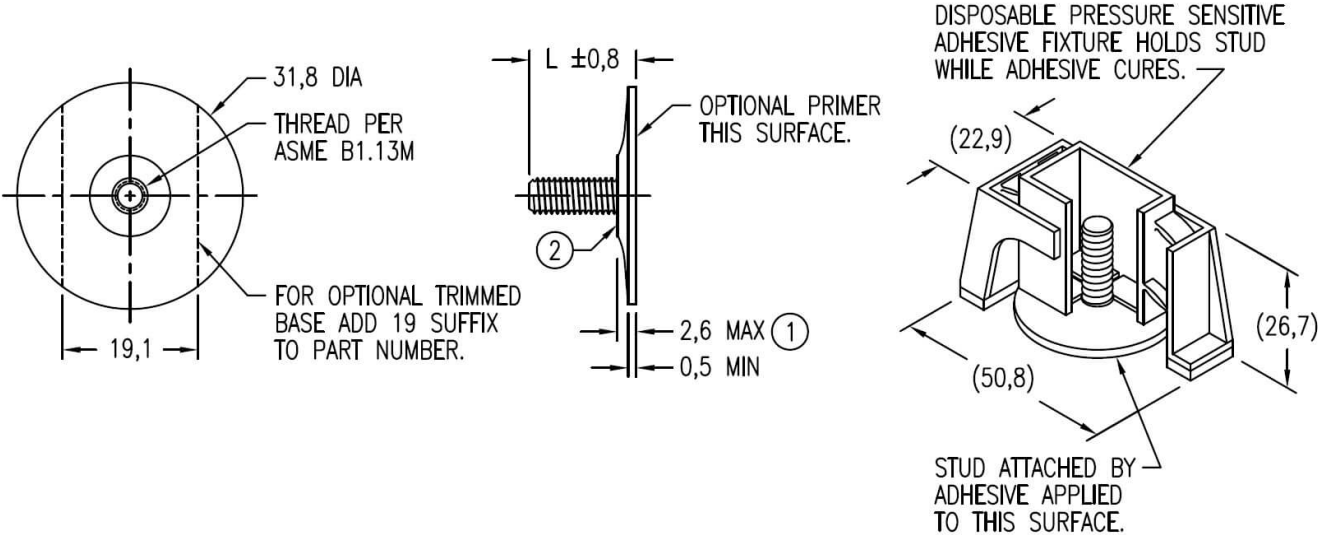


M8x12mm, 31,8mm diameter, stainless steel

Specifications

Voltage range (V), nominal	
Voltage range (V), functional	
Power consumption (W)	
Load capacity	
Temperature range (°C)	
Brightness	
Brightness (raw lm)	
Brightness (effective lm)	
Brightness (cd)	
Brightness (lx)	
Performance class	
Beam pattern/lens	
Beam angle [°]	
Colour Temperature (K)	
Others	
Ingress protection	
Resistivity	

Dimensions



Mounting

Mounting type	
Installation dimensions/diameter [mm]	
Installation depth [mm]	
Connector	
Mating connector	
Reverse polarity protection	0

**Part no. CB-101-12581**

## Others

Material (Housing)	
Material (Diffusing lens)	
Color (Housing)	
Color (Mount)	
Color (Diffusing lens)	

## Variants

CB-101-12581	M8x12mm, 31,8mm Durchmesser, Edelstahl
CB-102-12582	M8x35mm, 31,8mm Durchmesser, Edelstahl
CB-104-12581	M8x15mm, 31,8mm Durchmesser, Edelstahl

## Accessories

CB-905-10081	Spenderpistole mit Spenderschlitten für Mischverhältnis 8:1, Industrie-Standard
CB-903-10601	Misch-Kanüle für Spenderpistole
CB-901-20001	Kleber CB200 40 ml, in Kartusche