

LED-Fahrscheinwerfer Modell TS3001V

Part no. FS-1431-30322

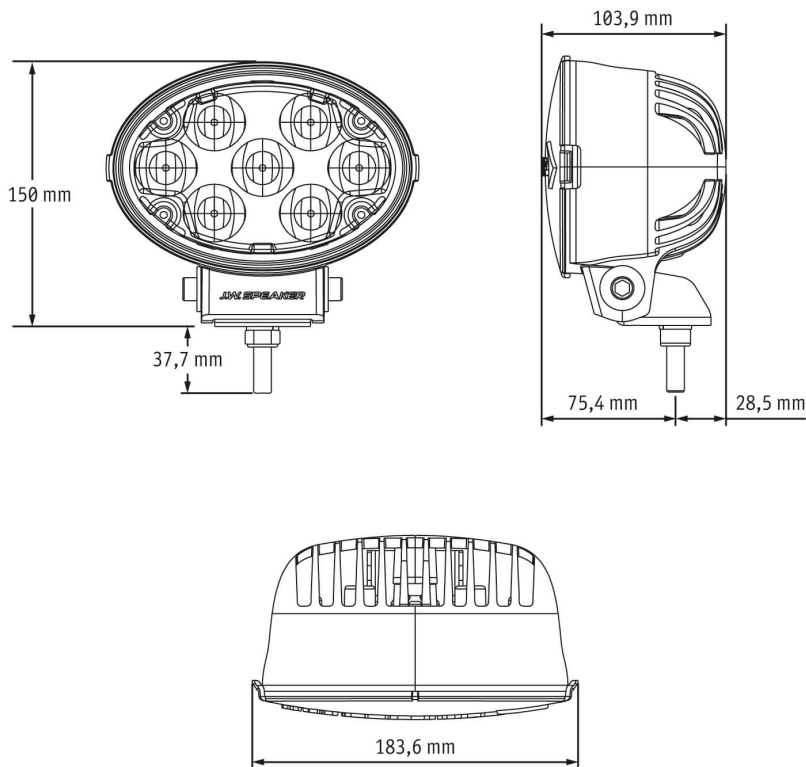


12-24 V, driving light, ECE road approval (Reg. 112)

Specifications

Voltage range (V), nominal	12-24
Voltage range (V), functional	9-32
Power consumption (W)	22,8-25,2
Load capacity	
Temperature range (°C)	
Brightness	
Brightness (raw lm)	
Brightness (effective lm)	1080
Brightness (cd)	55000
Brightness (lx)	
Performance class	
Beam pattern/lens	Fernlicht
Beam angle [°]	
Colour Temperature (K)	
Others	
Ingress protection	IP67
Resistivity	

Dimensions



Mounting

Mounting type	Universalhalterung, 3/8"-16x1,5"
Installation dimensions/diameter [mm]	
Installation depth [mm]	
Connector	Deutsch-Stecker (DT04-2P)
Mating connector	Deutsch-Stecker (DT06-2S)
Reverse polarity protection	1
Black wire	Masse
Red wire	Fernlicht

LED-Fahrscheinwerfer Modell TS3001V

Part no. FS-1431-30322

Others

Material (Housing)	Xenoy
Material (Diffusing lens)	Polycarbonat
Color (Housing)	Schwarz
Color (Mount)	
Color (Diffusing lens)	Klar

Variants

FS-1431-30322	12-24 V, Fernlicht, ECE-Straßenzulassung (Reg. 112)
FS-1724-30324	12-24 V, Fernlicht, ECE-Straßenzulassung (Reg. 112), Set mit 2 Scheinwerfern
FS-1725-30354	12-24 V, Pencil Beam, Set mit 2 Scheinwerfern

Accessories