

**Part no. FS-1495-79351**

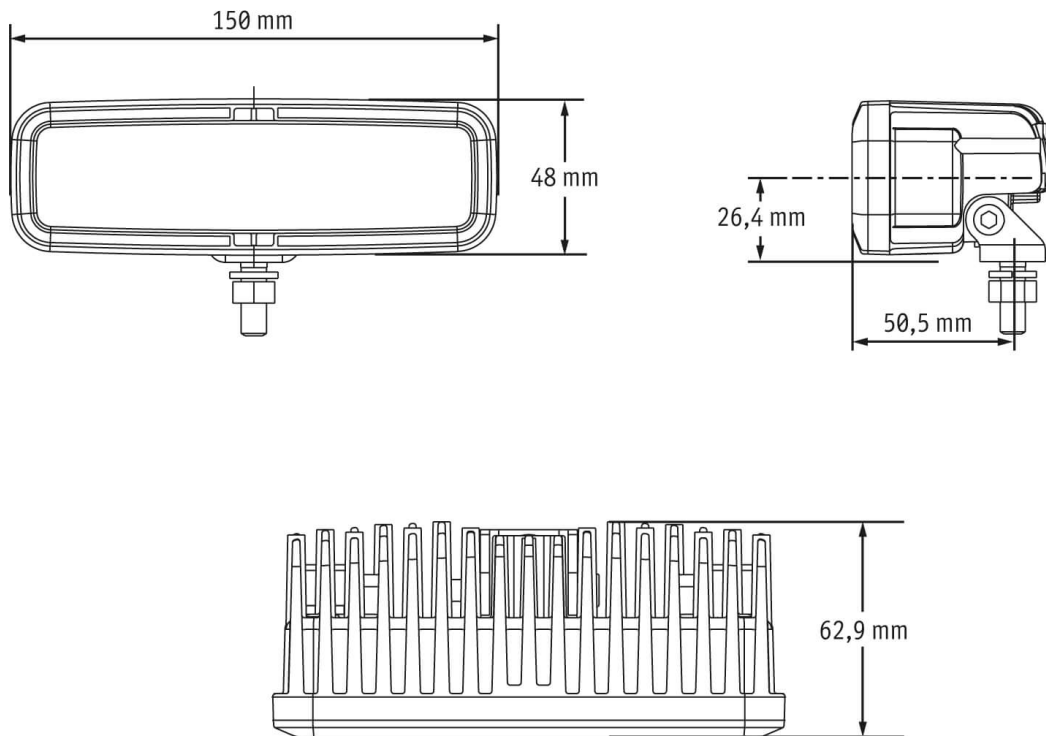


12-24 V, 1150 lm, driving light

## Specifications

<b>Voltage range (V), nominal</b>	12-24
<b>Voltage range (V), functional</b>	9-32
<b>Power consumption (W)</b>	15,24-18,72
<b>Load capacity</b>	
<b>Temperature range (°C)</b>	-40 bis 65
<b>Brightness</b>	
<b>Brightness (raw lm)</b>	
<b>Brightness (effective lm)</b>	1150
<b>Brightness (cd)</b>	
<b>Brightness (lx)</b>	
<b>Brightness (reference index)</b>	
<b>Performance class</b>	
<b>Beam pattern/lens</b>	Fahrlicht (Spot)
<b>Beam angle [°]</b>	
<b>Colour Temperature (K)</b>	5000
<b>Others</b>	
<b>Ingress protection</b>	IP67
<b>Resistivity</b>	
<b>Standards</b>	
<b>Electromagnetic Compatibility</b>	
<b>Transient spike protection</b>	150 V @ 1 Hz-100 Pulse

## Dimensions



## Mounting

<b>Mounting type</b>	Universalhalterung
<b>Installation dimensions/diameter [mm]</b>	
<b>Installation depth [mm]</b>	
<b>Connector</b>	Deutsch-Stecker (DT04-2P)
<b>Mating connector</b>	Deutsch-Stecker (DT06-2S)
<b>Reverse polarity protection</b>	1
<b>Black wire</b>	Masse
<b>Red wire</b>	Fahrlicht

**Part no. FS-1495-79351**

## Others

<b>Material (Housing)</b>	Aluminium
<b>Material (Diffusing lens)</b>	Polycarbonat
<b>Color (Housing)</b>	Schwarz
<b>Color (Mount)</b>	Chrom
<b>Color (Diffusing lens)</b>	Klar

## Beam pattern

## Variants

<b>FS-1495-79351</b>	12-24 V, 1150 lm, Fahrlicht
----------------------	-----------------------------

## Accessories