

Part no. FS-1620-79331

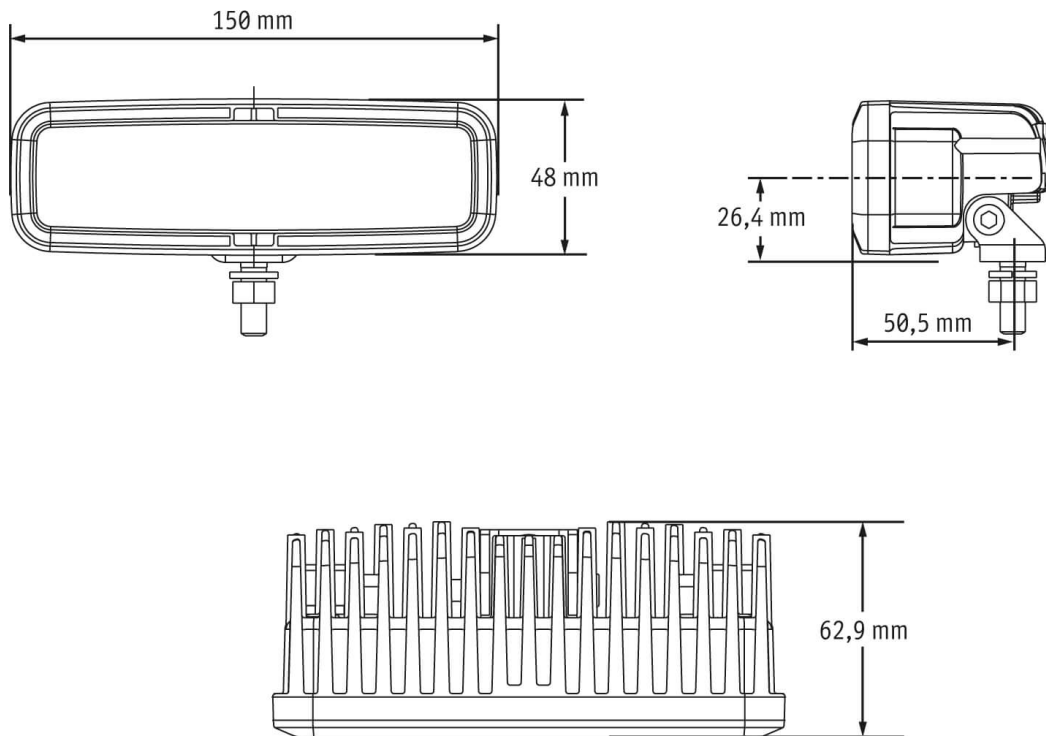


12 V, 250 lm, ECE road approval (Reg. 10)

Specifications

Voltage range (V), nominal	12
Voltage range (V), functional	10-18
Power consumption (W)	10,56
Load capacity	
Temperature range (°C)	-40 bis 65
Brightness	
Brightness (raw lm)	800
Brightness (effective lm)	250
Brightness (cd)	6700
Brightness (lx)	
Brightness (reference index)	
Performance class	
Beam pattern/lens	Nebellicht
Beam angle [°]	
Colour Temperature (K)	4750
Others	
Ingress protection	IP69K
Resistivity	
Standards	ECE (Reg. 19), SAE (J578, J583)
Electromagnetic Compatibility	ECE (Reg. 10)
Transient spike protection	150 V @ 1 Hz-100 Pulse

Dimensions



Mounting

Mounting type	Universalhalterung
Installation dimensions/diameter [mm]	
Installation depth [mm]	
Connector	Deutsch-Stecker (DT04-2P)
Mating connector	Deutsch-Stecker (DT06-2S)
Reverse polarity protection	1
Black wire	Masse
Red wire	Nebelscheinwerfer

Part no. FS-1620-79331

Others

Material (Housing)	Aluminium
Material (Diffusing lens)	Polycarbonat
Color (Housing)	Schwarz
Color (Mount)	Schwarz
Color (Diffusing lens)	Klar

Beam pattern

Variants

FS-1620-79331	12 V, 250 lm, ECE-Straßenzulassung (Reg. 10)
----------------------	--

Accessories