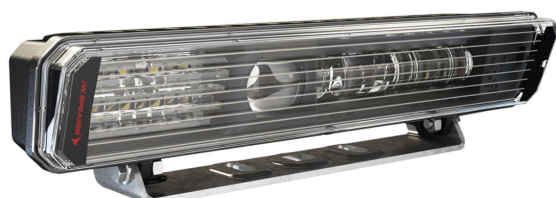


Part no. FS-1891-9935



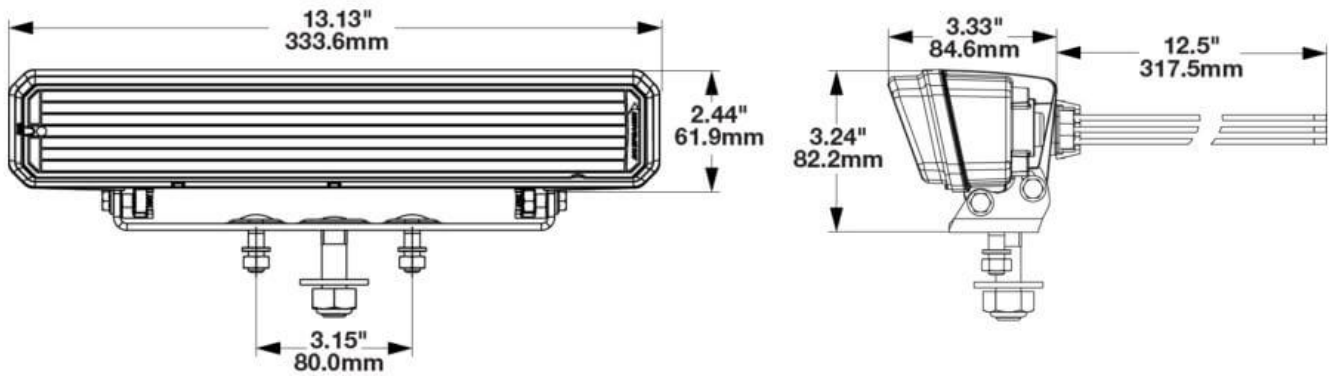
12-24 V, low and high beam, daytime running light, with front position, with turn signal, ECE road approval (Reg. 6, 7, 87, 112), 2 lights kit

Specifications

Voltage range (V), nominal	12-24
Voltage range (V), functional	9-30
Power consumption (W)	42-50 (Abblendl.), 60 (Fernl.), 30-42 (Tagfahrl.)
Load capacity	
Temperature range (°C)	-30 bis 55
Brightness	
Brightness (raw lm)	2370 (Abblendl.), 4300 (Fernl.)
Brightness (effective lm)	587 (Abblendl.), 1060 (Fernl.)
Brightness (cd)	58000
Brightness (lx)	
Brightness (reference index)	
Performance class	
Beam pattern/lens	
Beam angle [°]	
Colour Temperature (K)	
Others	
Ingress protection	IP69K
Resistivity	
Standards	ECE (Reg 6, 7, 87, 112), FMVSS 108 (s10.1 XIX, s10.1 XVIII, s7.1 VI, s7.8 XIV), SAE (J2087, J222)
Electromagnetic Compatibility	ECE (Reg. 10)
Transient spike protection	150 V @ 1 Hz-100 Pulse

Part no. FS-1891-99350

Dimensions



Mounting

Mounting type	Univeralhalterung
Installation dimensions/diameter [mm]	
Installation depth [mm]	
Connector	Delphi MP150-6S (12052848)
Mating connector	Delphi-Merit (12052848)
Reverse polarity protection	1
Black wire	Masse
Red wire	Standlicht
Yellow wire	Abblendlicht
White wire	Fernlicht
Blue wire	Tagfahrlicht
Orange wire	Fahrtrichtungsanzeiger

Part no. FS-1891-99350

Others

Material (Housing)	Aluminium
Material (Diffusing lens)	Polycarbonat
Color (Housing)	Schwarz
Color (Mount)	Schwarz
Color (Diffusing lens)	klar

Beam pattern

Variants

FS-1891-99350	12-24 V, Abblend- und Fernlicht, Tagfahrlicht, Standlicht, mit Fahrtrichtungsanzeiger, mit beheizter Frontscheibe, ECE-Straßenzulassung (Reg.6, 7, 87, 112), Set mit 2 Scheinwerfern
----------------------	--

Accessories