

Part no. FS-2159-87341



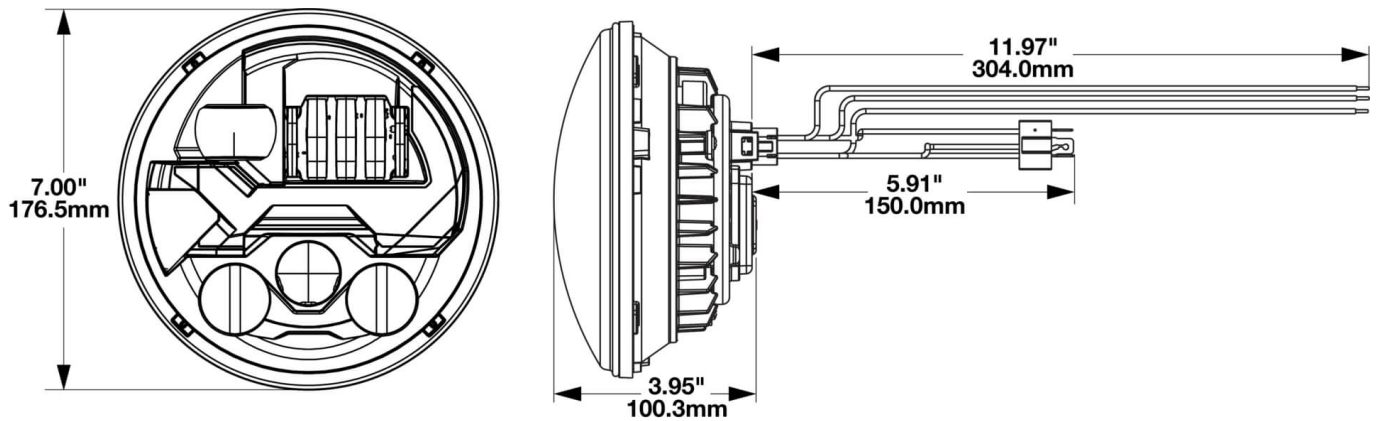
12 V, low and high beam, with DRL, front position light and turn signal, ECE road approval (Reg. 7, 87, 112), chromed bezel, 2 light kit (left and right)

Specifications

Voltage range (V), nominal	12
Voltage range (V), functional	9-16
Power consumption (W)	27,9 (Abblendl.); 39,0 (Fernl.); 5,4 (Standl.); 36,0 (Blinker); 36,0 (Tagfahrl.)
Load capacity	
Temperature range (°C)	-40 bis 65
Brightness	
Brightness (raw lm)	3020/3600 (Abblendl./Fernl.)
Brightness (effective lm)	1201/1320 (Abblendl./Fernl.)
Brightness (cd)	24800/68800 (Abblendl./Fernl.)
Brightness (lx)	
Brightness (reference index)	
Performance class	
Beam pattern/lens	
Beam angle [°]	
Colour Temperature (K)	5000
Others	
Ingress protection	IP69K
Resistivity	
Standards	ECE (Reg. 7, 87, 112), FMVSS (108 s10.1 XIX, 108 s10.1 XVIII, 108 s7.1 VI)
Electromagnetic Compatibility	ECE (Reg. 10)
Transient spike protection	150 V @ 1 Hz-100 Pulse

Part no. FS-2159-87341

Dimensions



Mounting

Mounting type	Einbau
Installation dimensions/diameter [mm]	
Installation depth [mm]	
Connector	H3-Stecker + Kabel
Mating connector	
Reverse polarity protection	1
Black wire	Masse
Red wire	Positionsleuchte
Yellow wire	Abblendlicht
White wire	Fernlicht
Blue wire	Tagfahrlicht
Brown wire	Fahrtrichtungsanzeiger

Part no. FS-2159-87341

Others

Material (Housing)	Aluminium
Material (Diffusing lens)	Polycarbonat
Color (Housing)	Schwarz
Color (Mount)	Chrom
Color (Diffusing lens)	Klar

Beam pattern

Variants

FS-2159-87341	12 V, Abblend- und Fernlicht, mit Tagfahrlicht, Standlicht und Blinker, ECE-Straßenzulassung (Reg. 7, 87, 112), verchromte Einfassung, Set mit 2 Scheinwerfern (links und rechts)
----------------------	---

Accessories