

**Part no. FS-2284-86341**



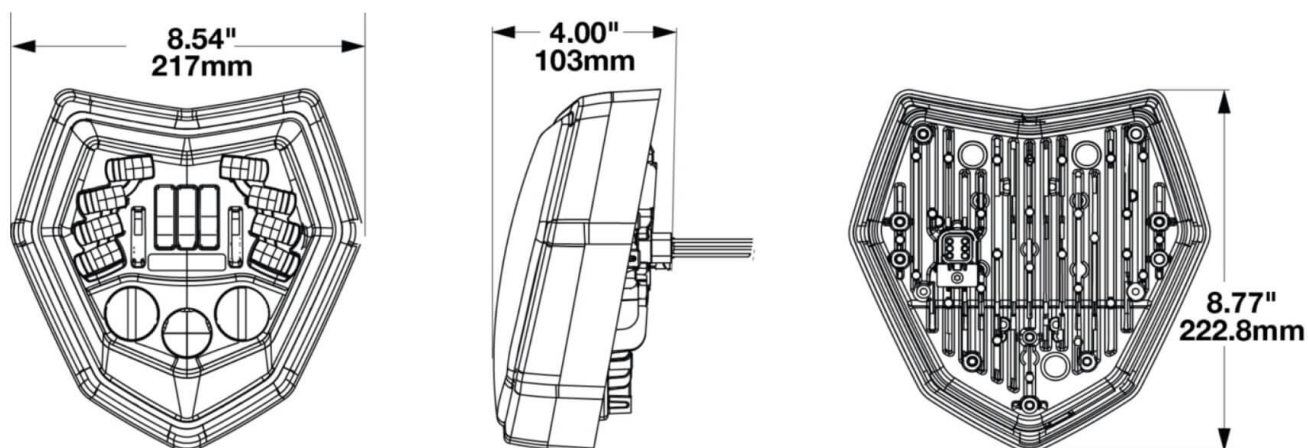
13.5 V, low beam, high beam, adaptive cornering light

## Specifications

<b>Voltage range (V), nominal</b>	13,5
<b>Voltage range (V), functional</b>	9-16
<b>Power consumption (W)</b>	35,1-49,95 (Abblendl.), 37,8-62,1 (Fernl.), 35,1 (Tagfahrl.), 12,15 (Standl.)
<b>Load capacity</b>	
<b>Temperature range (°C)</b>	-40 bis 65
<b>Brightness</b>	
<b>Brightness (raw lm)</b>	2240/3360 (Abblendl./Fernl.)
<b>Brightness (effective lm)</b>	870/1260 (Abblendl./Fernl.)
<b>Brightness (cd)</b>	10000/51000 (Abblendl./Fernl.)
<b>Brightness (lx)</b>	
<b>Brightness (reference index)</b>	
<b>Performance class</b>	
<b>Beam pattern/lens</b>	
<b>Beam angle [°]</b>	
<b>Colour Temperature (K)</b>	4500
<b>Others</b>	
<b>Ingress protection</b>	
<b>Resistivity</b>	
<b>Standards</b>	ECE (Reg. 148-MA, 148-RL, 149-WC-DS, 149-WR-DS)
<b>Electromagnetic Compatibility</b>	ECE (Reg. 10)
<b>Transient spike protection</b>	150 V @ 1 Hz-100 Pulse

Part no. FS-2284-86341

## Dimensions



## Mounting

Mounting type	
Installation dimensions/diameter [mm]	
Installation depth [mm]	
Connector	Deutsch-Stecker (DT04-6P)
Mating connector	Deutsch-Stecker (DT06-6S)
Reverse polarity protection	1
Black wire	Masse
Red wire	Positionsleuchte
Yellow wire	Abblendlicht
White wire	Fernlicht
Blue wire	Tagfahrlicht

**Part no. FS-2284-86341**

## Others

Material (Housing)	Aluminium
Material (Diffusing lens)	Polycarbonat
Color (Housing)	Schwarz
Color (Mount)	Schwarz
Color (Diffusing lens)	Klar

## Beam pattern

## Variants

FS-2284-86341	13,5 V, Ablend- und Fernlicht, adaptives Kurvenlicht
---------------	--

## Accessories