

**Part no. FS-2287-86341**



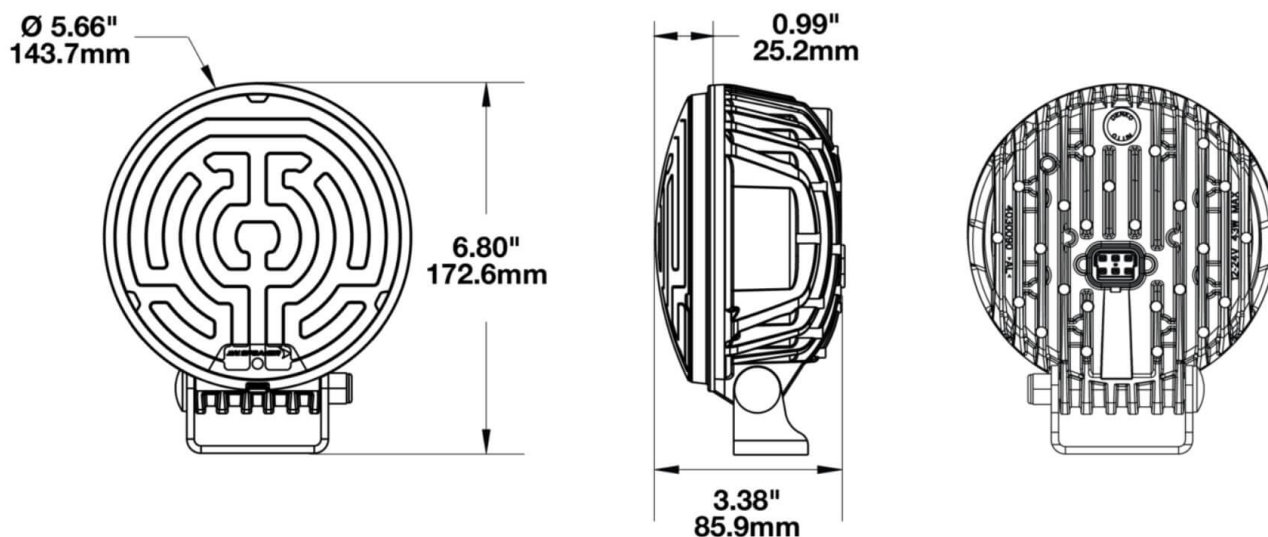
12-24 V, low and high beam, with DRL, front position light and turn signal, ECE road approval, with heated lens

**Specifications**

<b>Voltage range (V), nominal</b>	12-24
<b>Voltage range (V), functional</b>	
<b>Power consumption (W)</b>	47,25-56 (Abblendl.), 54-56 (Fernl.), 37,8-39,2 (Tagfahrl.), 33,12-33,6 (Standl.), 8,1-11,2 (Blinker)
<b>Load capacity</b>	
<b>Temperature range (°C)</b>	
<b>Brightness</b>	
<b>Brightness (raw lm)</b>	2025/2925 (Abblendl./Fernl.)
<b>Brightness (effective lm)</b>	660/1000 (Abblendl./Fernl.)
<b>Brightness (cd)</b>	23.000/51.000 (Abblendl./Fernl.)
<b>Brightness (lx)</b>	
<b>Brightness (reference index)</b>	
<b>Performance class</b>	
<b>Beam pattern/lens</b>	
<b>Beam angle [°]</b>	
<b>Colour Temperature (K)</b>	5665
<b>Others</b>	
<b>Ingress protection</b>	IP67 & IP69K
<b>Resistivity</b>	
<b>Standards</b>	ECE (Reg. 148-1b, 148-A, 148-RL, 149-HC, 149-HR)
<b>Electromagnetic Compatibility</b>	ECE (Reg. 10)
<b>Transient spike protection</b>	

Part no. FS-2287-86341

## Dimensions



## Mounting

Mounting type	Universalhalterung
Installation dimensions/diameter [mm]	
Installation depth [mm]	
Connector	APTIV 12124107
Mating connector	APTIV 12052848
Reverse polarity protection	1

**Part no. FS-2287-86341**

## Others

<b>Material (Housing)</b>	Aluminium
<b>Material (Diffusing lens)</b>	Polycarbonat
<b>Color (Housing)</b>	Schwarz
<b>Color (Mount)</b>	
<b>Color (Diffusing lens)</b>	Klar

## Beam pattern

## Variants

<b>FS-2287-86341</b>	12-24 V, Abblend- und Fernlicht, mit Tagfahrlicht, Standlicht und Blinker, ECE-Straßenzulassung, mit beheizter Frontlinse
----------------------	---

## Accessories