

Part no. RM-101-10238

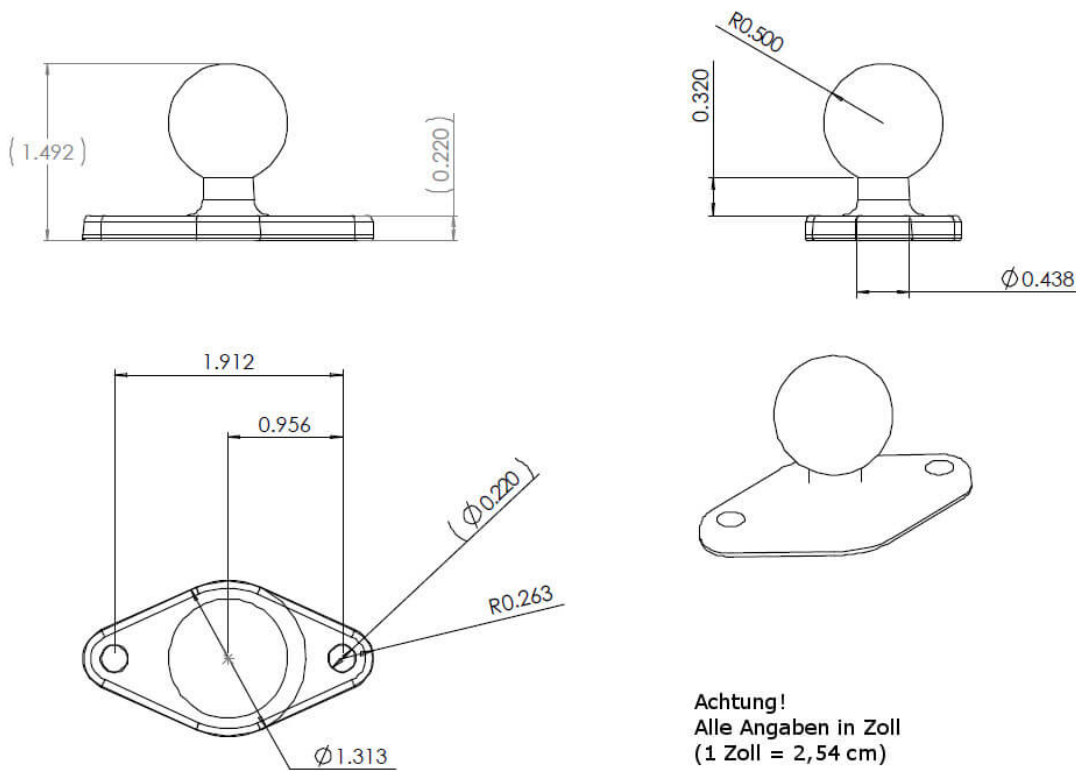


6.2x3.3 cm (2.43x1.31 in.), 1 in. ball (size B) - RAM-B-238U

Specifications

Voltage range (V), nominal	
Voltage range (V), functional	
Power consumption (W)	
Load capacity	
Temperature range (°C)	
Brightness	
Brightness (raw lm)	
Brightness (effective lm)	
Brightness (cd)	
Brightness (lx)	
Performance class	
Beam pattern/lens	
Beam angle [°]	
Colour Temperature (K)	
Others	
Ingress protection	
Resistivity	

Dimensions



Mounting

Mounting type	
Installation dimensions/diameter [mm]	
Installation depth [mm]	
Connector	
Mating connector	
Reverse polarity protection	0

Part no. RM-101-10238

Others

Material (Housing)	
Material (Diffusing lens)	
Color (Housing)	
Color (Mount)	
Color (Diffusing lens)	

Variants

RM-101-10238	6,2x3,3 cm (2,43x1,31 Zoll), 1-Zoll-Kugel (Größe B) RAM-B-238U
RM-152-10238	6,2x3,3 cm (2,43x1,31 Zoll), 1-Zoll-Kugel (Größe B), Verbundstoff - RAP-B-238U

Accessories

RM-501-10201	Verbindungsstück, 1 Zoll 7,6 cm (3 Zoll), für 1-Zoll-Kugel (Größe B) RAM-B-201U
---------------------	---