

Runde Basis, 2,25 in.

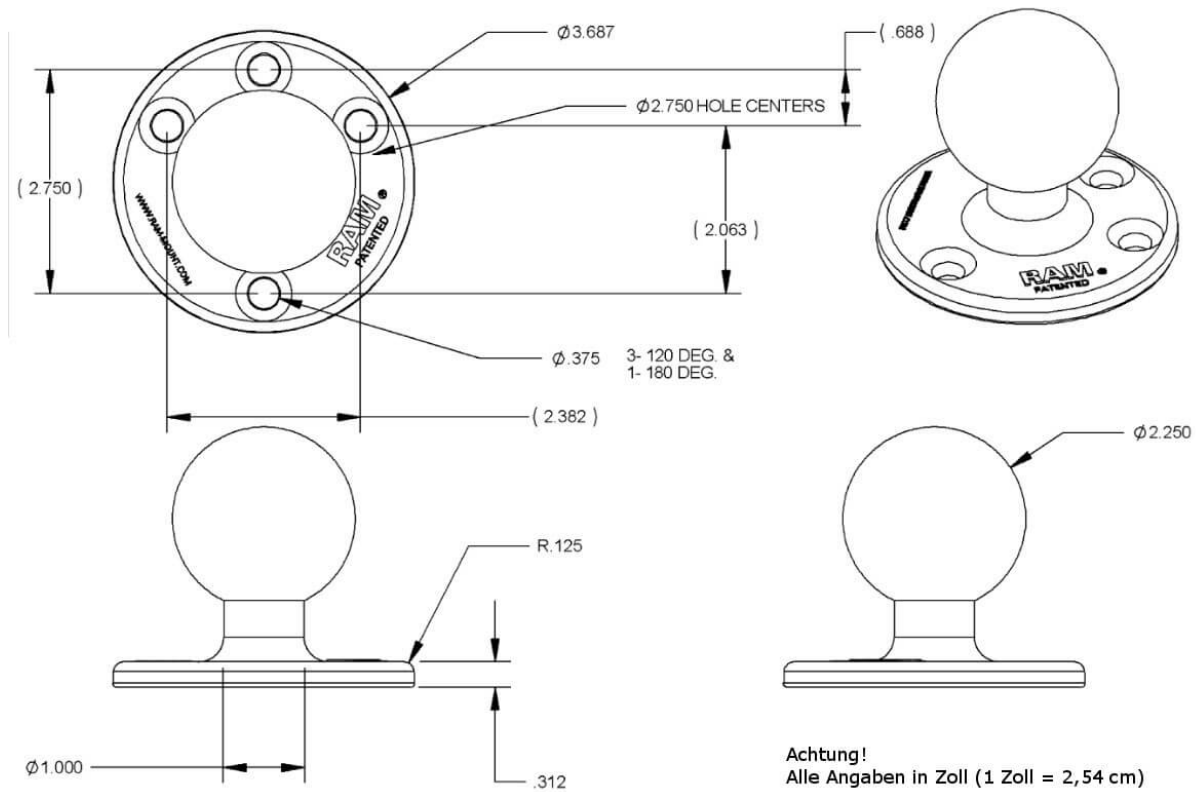
Part no. RM-112-22202



9.35 cm (3.68 in.), 120° / 180°, 2.25 in. ball (size D)
- RAM-D-202U

Specifications

Dimensions



Mounting

Part no. RM-112-22202

Others

Variants

RM-112-22202

9,35 cm (3,68 Zoll), 120° / 180°-Bohrungen, 2,25-Zoll-Kugel (Größe D) RAM-D-202U

Accessories