

Part no. **RM-114-22254**

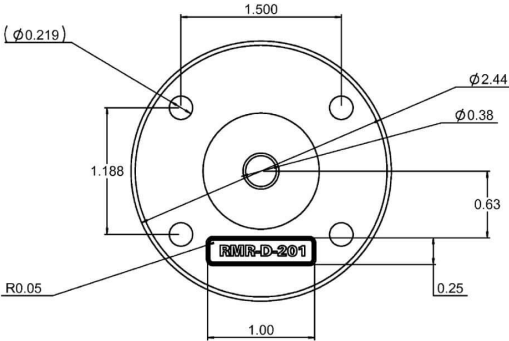


6.2 cm (2.4375 in.) AMPS, 2.25 in. ball (Size D) -
RAM-D-254U

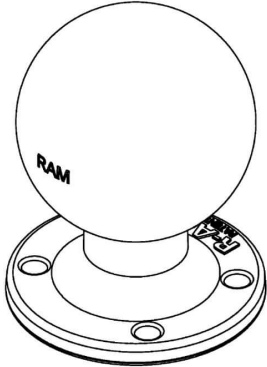
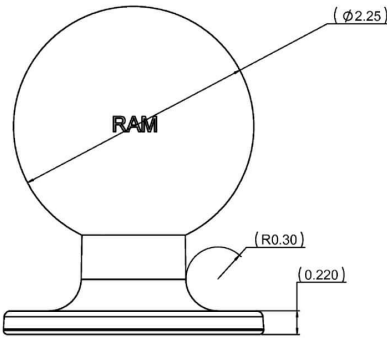
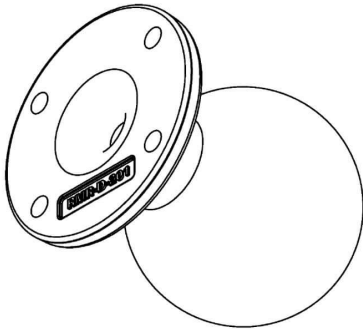
Specifications

Voltage range (V), nominal	
Voltage range (V), functional	
Power consumption (W)	
Load capacity	
Temperature range (°C)	
Brightness	
Brightness (raw lm)	
Brightness (effective lm)	
Brightness (cd)	
Brightness (lx)	
Performance class	
Beam pattern/lens	
Beam angle [°]	
Colour Temperature (K)	
Others	
Ingress protection	
Resistivity	

Dimensions



Achtung!
Alle Angaben in Zoll (1 Zoll = 2,54 cm)



Mounting

Mounting type
Installation dimensions/diameter [mm]
Installation depth [mm]
Connector
Mating connector
Reverse polarity protection

0

Part no. **RM-114-22254**

Others

Material (Housing)	
Material (Diffusing lens)	
Color (Housing)	
Color (Mount)	
Color (Diffusing lens)	

Variants

RM-114-22254	6,2 cm (2,4375 Zoll) AMPS, 2,25-Zoll-Kugel (Größe D) RAM-D-254U
RM-133-22202	Durchmesser 9,34 cm (3,68 Zoll), 2,25-Zoll-Kugel (Größe D) RAM-D-202U-SYM1

Accessories