

Part no. RW-028-80112



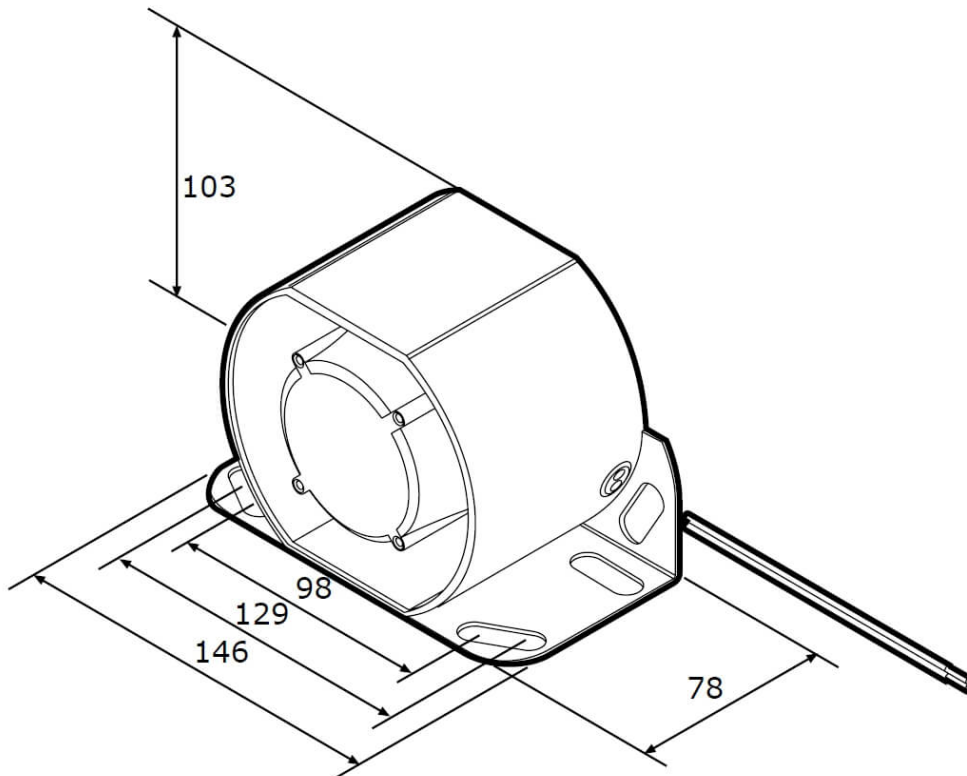
12-36 V, 112 dB

Specifications

Voltage range (V), nominal	12-36
Voltage range (V), functional	
Power consumption (W)	20,4
Load capacity	
Temperature range (°C)	-40 bis 85
Brightness	
Brightness (raw lm)	
Brightness (effective lm)	
Brightness (cd)	
Brightness (lx)	
Performance class	
Beam pattern/lens	
Beam angle [°]	
Colour Temperature (K)	
Others	
Ingress protection	
Resistivity	

Part no. RW-028-80112

Dimensions



Mounting

Mounting type	
Installation dimensions/diameter [mm]	
Installation depth [mm]	
Connector	Kabel
Mating connector	
Reverse polarity protection	0

Part no. RW-028-80112

Others

Material (Housing)	Stahl, glasfaserverstärktes Nylon
Material (Diffusing lens)	
Color (Housing)	Schwarz
Color (Mount)	
Color (Diffusing lens)	

Variants

RW-028-80112	12-36 V, 112 dB
RW-1406-91727	Smart Alarm, 12-24 V, 87-112 dB, GFN

Accessories