

Part no. RW-1170-128



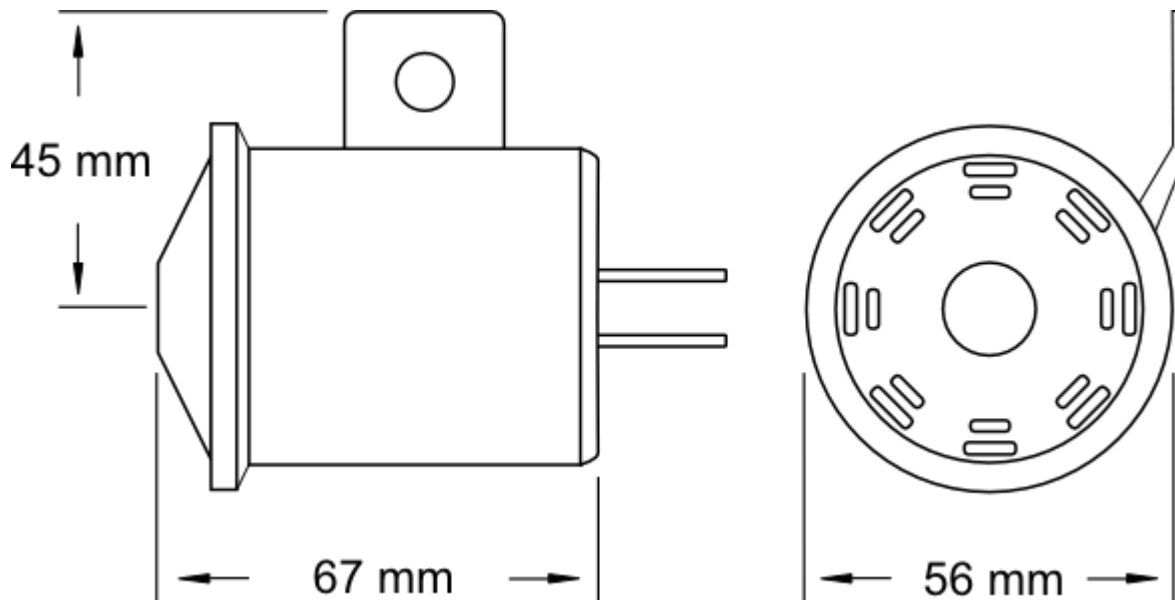
12-80 V, 88 dB, with Label on item and box, JAG
50448262

Specifications

Voltage range (V), nominal	12-80
Voltage range (V), functional	
Power consumption (W)	
Load capacity	
Temperature range (°C)	-20 bis 60
Sound volume (dB)	88
Frequency, revolutions (Hz, rpm, fpm)	3000
Working life	>1.000.000 Arbeitszyklen
Others	
Ingress protection	
Resistivity	
Standards	
Electromagnetic Compatibility	
Transient spike protection	
System size	
Type	
Mounting	

Part no. RW-1170-12800

Dimensions



Mounting

Mounting type	Halteklammer
Installation dimensions/diameter [mm]	
Installation depth [mm]	
Connector	Kabel
Mating connector	
Reverse polarity protection	0
Socket	

Part no. RW-1170-12800

Others

Material (Housing)	
Material (Diffusing lens)	
Color (Housing)	Schwarz
Color (Mount)	
Color (Diffusing lens)	

Variants

RW-1170-12800	12-80 V, 88 dB, mit Label auf Produkt und Einzelkarton, JAG 50448262
----------------------	--

Accessories

Functional drawing