

**Part no. RW-1671-20721**

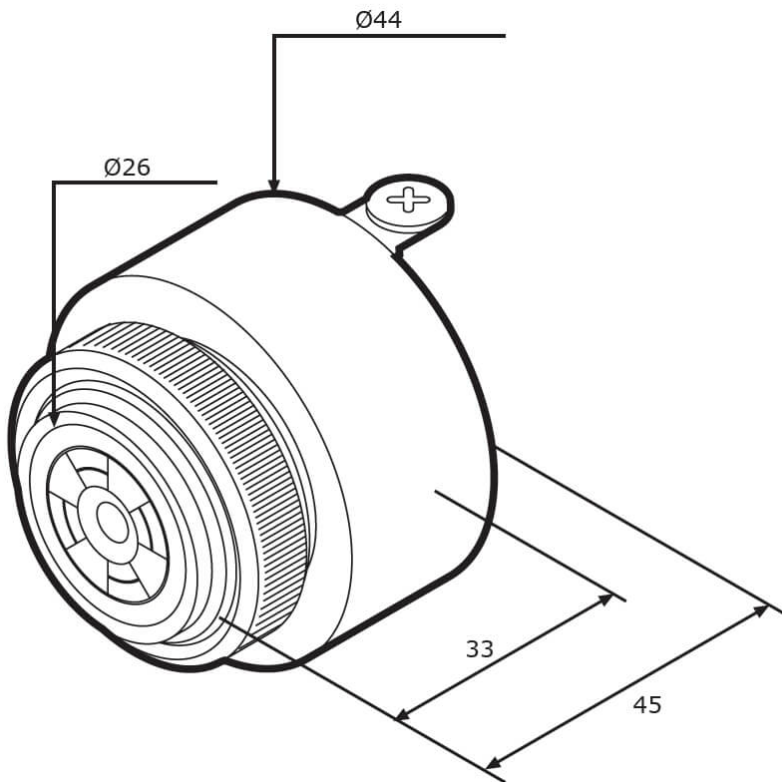
12-48 V, 80 dB, 2900 Hz



## Specifications

<b>Voltage range (V), nominal</b>	12-48
<b>Voltage range (V), functional</b>	9-56
<b>Power consumption (W)</b>	1,2
<b>Load capacity</b>	
<b>Temperature range (°C)</b>	-20 bis 60
<b>Brightness</b>	
<b>Brightness (raw lm)</b>	
<b>Brightness (effective lm)</b>	
<b>Brightness (cd)</b>	
<b>Brightness (lx)</b>	
<b>Performance class</b>	
<b>Beam pattern/lens</b>	
<b>Beam angle [°]</b>	
<b>Colour Temperature (K)</b>	
<b>Others</b>	
<b>Ingress protection</b>	
<b>Resistivity</b>	

## Dimensions



## Mounting

Mounting type	Einbau
Installation dimensions/diameter [mm]	32
Installation depth [mm]	
Connector	Steckkontakte
Mating connector	
Reverse polarity protection	0

**Part no. RW-1671-20721**

## Others

Material (Housing)	ABS-Kunststoff
Material (Diffusing lens)	
Color (Housing)	Schwarz
Color (Mount)	
Color (Diffusing lens)	

## Variants

RW-220-34880	12-48 V, 80 dB, Dual-Modus
RW-839-01120	12-48 V, 80 dB, schnelle Taktung
RW-842-09120	12-48 V, 80 dB, mittlerer Dauerton
RW-1671-20721	12-48 V, 80 dB, 2900 Hz

## Accessories