

# Zündglühstartschloss 476020 Heavy Duty

**Part no. SS-1002-47602**



key code M516, IP65

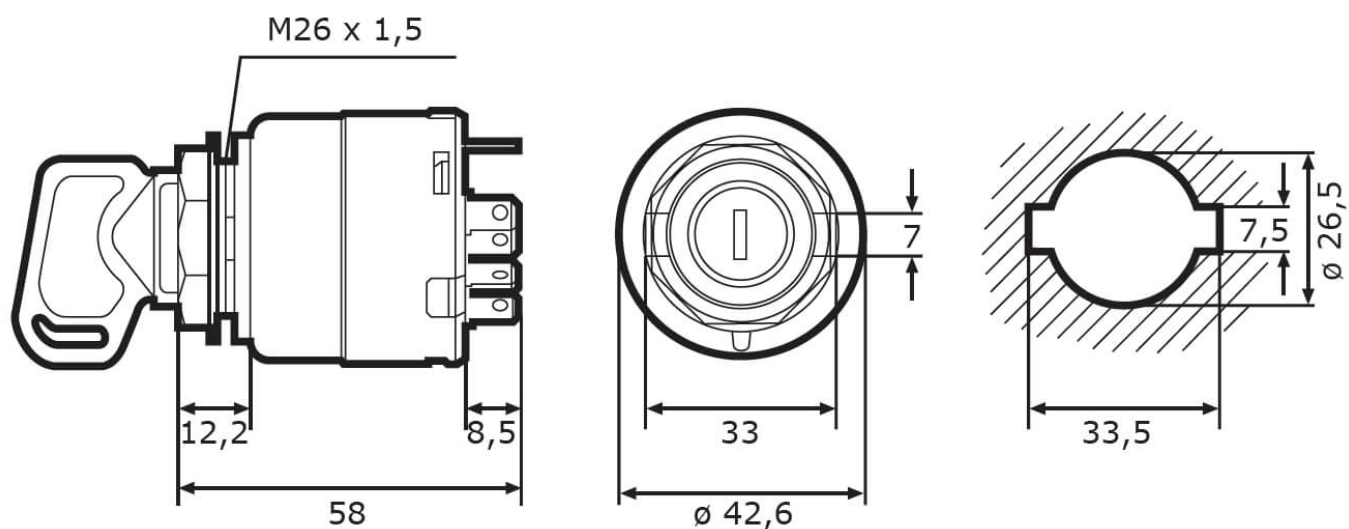
## Specifications

<b>Voltage range (V), nominal</b>	12-24
<b>Voltage range (V), functional</b>	
<b>Load capacity</b>	
<b>Temperature range (°C)</b>	-40 bis 90
<b>Working life</b>	>50.000/>100.000 Arbeitszyklen (elektr./mechan.)
<b>Key code</b>	M516
<b>Positions</b>	Parken-AUS-AN-Vorglühen-Start
<b>Key removable</b>	AUS-Position + Park-Position
<b>Others</b>	
<b>Ingress protection</b>	IP65 (schlüsselseitig)
<b>Resistivity</b>	Vibration 5 g 20-200 Hz, Salznebel 144 h, Feuchtigkeit 144 h (95% 55 °C)
<b>Standards</b>	
<b>Electromagnetic Compatibility</b>	
<b>Transient spike protection</b>	

# Zündglühstartschaltenschloss 476020 Heavy Duty

Part no. SS-1002-47602

## Dimensions



## Mounting

Mounting type	Einbau
Installation dimensions/diameter [mm]	26,5 / 42,6
Installation depth [mm]	52,7
Connector	Steckkontakte
Mating connector	

# Zündglühstartschaltschloss 476020 Heavy Duty

---

**Part no. SS-1002-47602**

## Others

Material (Housing)

Color (Housing)

## Variants

SS-1002-47602

Schließung M516, IP65

## Accessories