

Part no. SS-317-40015

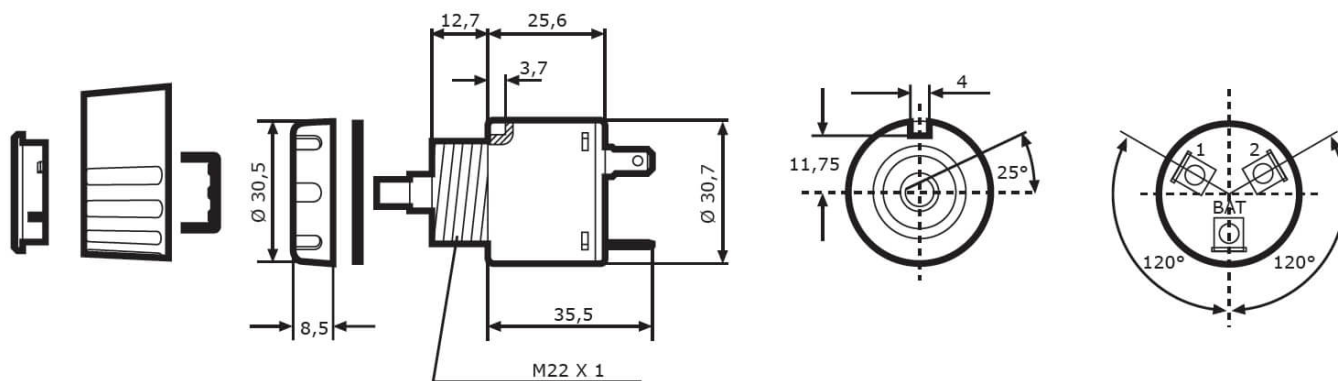


with small turn knob

Specifications

Voltage range (V), nominal	12-80
Voltage range (V), functional	
Load capacity	
Temperature range (°C)	
Working life	>50.000/>100.000 Arbeitszyklen (elektr./mechan.)
Key code	Drehknopf
Positions	AUS-AN
Key removable	
Others	
Ingress protection	
Resistivity	
Standards	
Electromagnetic Compatibility	
Transient spike protection	

Dimensions



Mounting

Mounting type	Einbau
Installation dimensions/diameter [mm]	22,5 / 30,7
Installation depth [mm]	35,5
Connector	Steckkontakte
Mating connector	

Part no. SS-317-40015

Others

Material (Housing)

Color (Housing)

Variants

SS-317-40015

mit kleinem Drehknopf

Accessories

SS-070-00701

Verdrehschutz für diverse Schaltschlösser und Startschalter