

Part no. SS-419-47048



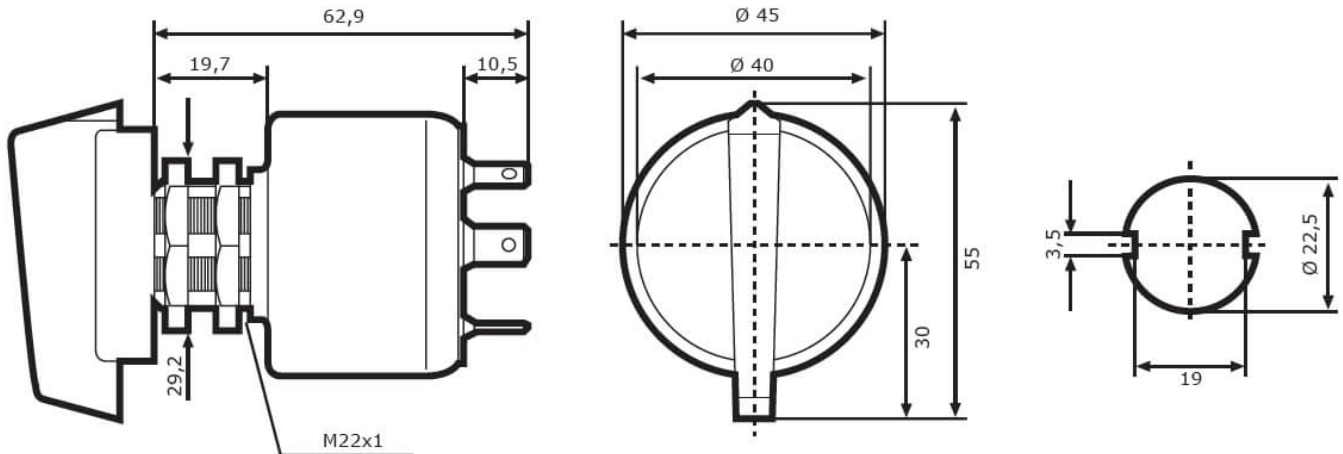
type 470408, with turn knob (black)

Specifications

Voltage range (V), nominal	12-24
Voltage range (V), functional	
Load capacity	
Temperature range (°C)	-40 bis 90
Working life	>50.000 / >100.000 Arbeitszyklen (elektr./mechan.)
Key code	Drehknopf
Positions	AUS-AN-Start
Key removable	
Others	
Ingress protection	IP54 (knopfseitig)
Resistivity	Vibration 3 g 10-500 Hz
Standards	
Electromagnetic Compatibility	
Transient spike protection	

Part no. **SS-419-47048**

Dimensions



Mounting

Mounting type	Einbau
Installation dimensions/diameter [mm]	22,5 / 45
Installation depth [mm]	
Connector	Steckkontakte
Mating connector	

Part no. SS-419-47048

Others

Material (Housing)

Color (Housing)

Variants

SS-419-47048

Typ 470408, mit Drehknopf (schwarz)

Accessories