

Part no. SS-789-71208

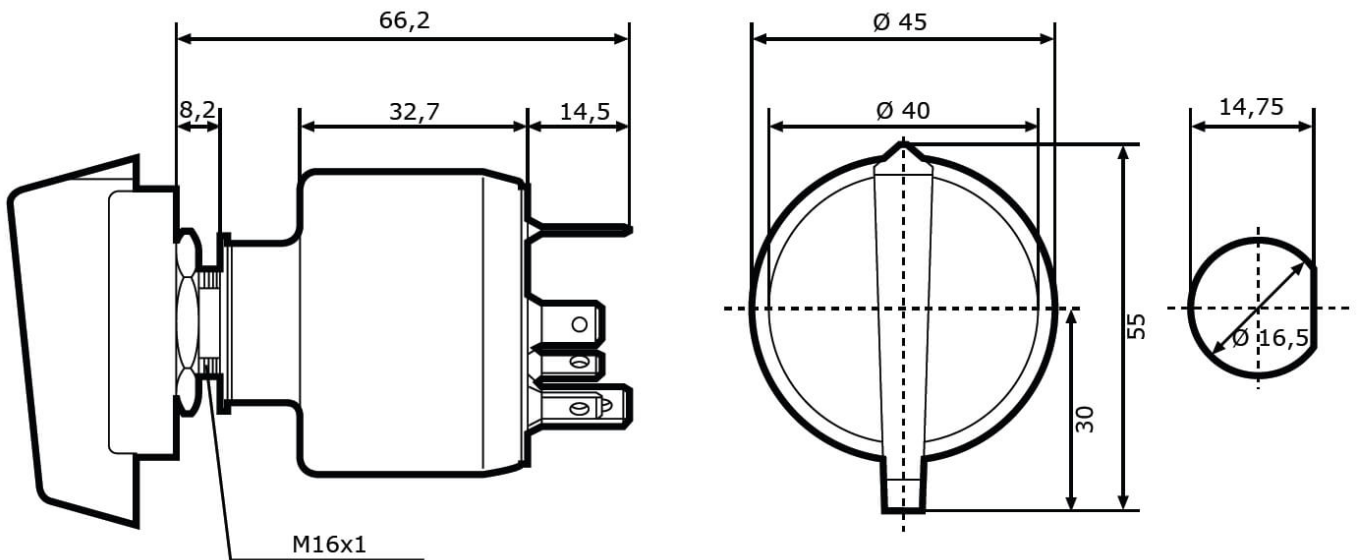


type 471208, with turn knob (black), with re-start-inhibitor

Specifications

Voltage range (V), nominal	12-24
Voltage range (V), functional	
Power consumption (W)	
Load capacity	
Temperature range (°C)	-40 bis 90
Brightness	
Brightness (raw lm)	
Brightness (effective lm)	
Brightness (cd)	
Brightness (lx)	
Performance class	
Beam pattern/lens	
Beam angle [°]	
Colour Temperature (K)	
Others	
Ingress protection	IP54 (knopfseitig)
Resistivity	Vibration 3 g 10-50 Hz

Dimensions



Mounting

Mounting type	Einbau
Installation dimensions/diameter [mm]	16,5 / 45
Installation depth [mm]	58
Connector	Steckkontakte
Mating connector	
Reverse polarity protection	0

Part no. SS-789-71208

Others

Material (Housing)	
Material (Diffusing lens)	
Color (Housing)	
Color (Mount)	
Color (Diffusing lens)	

Variants

SS-789-71208	Typ 471208, mit Drehknopf (schwarz), mit Anlasswiederhol Sperre
SS-801-47148	Typ 471408, mit Drehknopf (rot), mit Anlasswiederhol Sperre

Accessories