

**Part no. TL-494-28124**

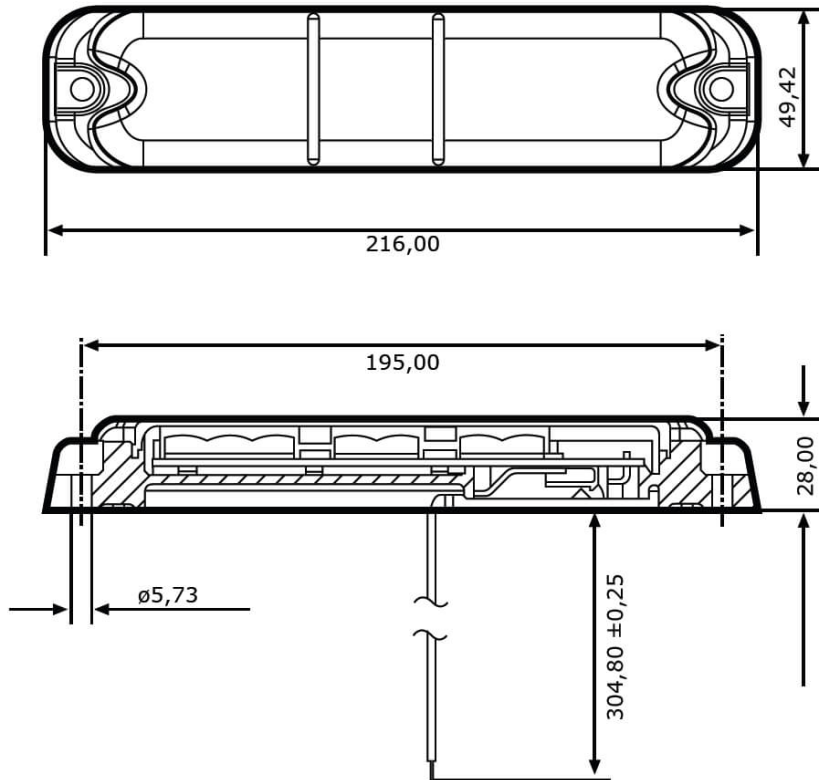


24 V, stop light, tail light and turn signal, ECE compliance (Reg. 6, 7)

## Specifications

<b>Voltage range (V), nominal</b>	24
<b>Voltage range (V), functional</b>	
<b>Power consumption (W)</b>	9,6
<b>Load capacity</b>	
<b>Temperature range (°C)</b>	-40 bis 65
<b>Brightness</b>	
<b>Brightness (raw lm)</b>	
<b>Brightness (effective lm)</b>	
<b>Brightness (cd)</b>	
<b>Brightness (lx)</b>	
<b>Brightness (reference index)</b>	
<b>Performance class</b>	
<b>Beam pattern/lens</b>	Schluss- und Bremslicht mit Fahrtrichtungsanzeiger
<b>Beam angle [°]</b>	
<b>Colour Temperature (K)</b>	
<b>Others</b>	
<b>Ingress protection</b>	IP67
<b>Resistivity</b>	
<b>Standards</b>	ECE (Reg. 6, 7)
<b>Electromagnetic Compatibility</b>	
<b>Transient spike protection</b>	

## Dimensions



## Mounting

Mounting type	Flachmontage (mit Kabeldurchführung)
Installation dimensions/diameter [mm]	
Installation depth [mm]	
Connector	Kabel
Mating connector	
Reverse polarity protection	1
Socket	
Black wire	Masse
Red wire	Bremslicht
Yellow wire	Fahrtrichtungsanzeiger
Red/white wire	Schlusslicht

**Part no. TL-494-28124**

## Others

Material (Housing)	ABS-Kunststoff
Material (Diffusing lens)	Polycarbonat
Color (Housing)	Schwarz
Color (Mount)	
Color (Diffusing lens)	Rot, Weiß

## Beam pattern

## Variants

TL-494-28124	24 V, Brems-, Schluss- und Blinklicht, ECE-Straßenzulassung (Reg. 6, 7)
--------------	---

## Accessories