

Part no. WL-1468-61551

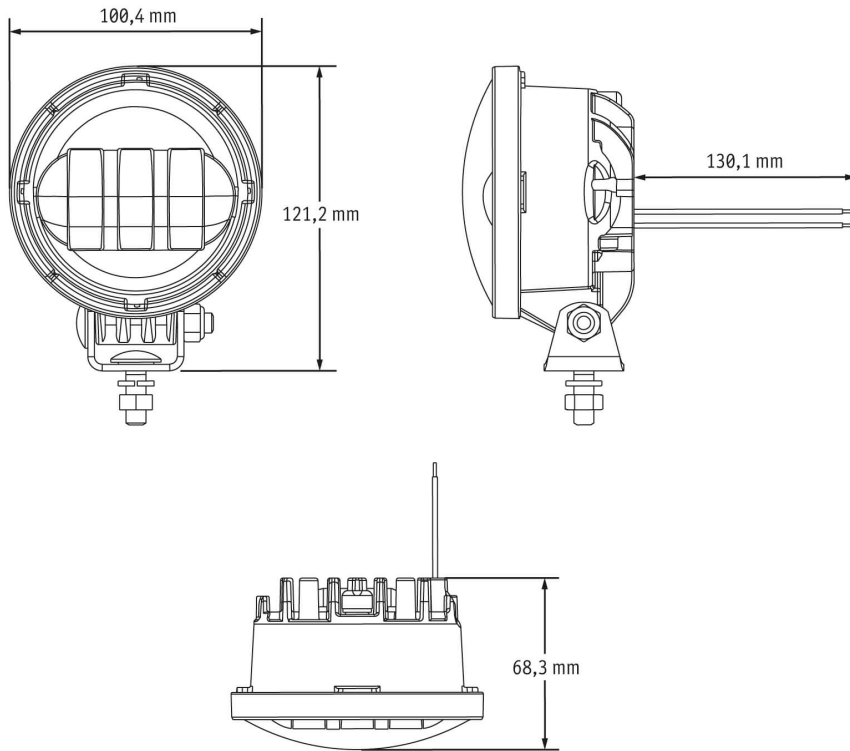


12-110 V, red keep-out zone

Specifications

Voltage range (V), nominal	12-110
Voltage range (V), functional	9-110
Power consumption (W)	13,8-15,4
Load capacity	
Temperature range (°C)	-40 bis 65
Brightness	
Brightness (raw lm)	
Brightness (effective lm)	318
Brightness (cd)	3454
Brightness (lx)	
Performance class	
Beam pattern/lens	Warnzone, Zone
Beam angle [°]	
Colour Temperature (K)	
Frequency, revolutions (Hz, rpm, fpm)	
Others	
Ingress protection	IP67
Resistivity	
Standards	
Electromagnetic Compatibility	
Transient spike protection	

Dimensions



Mounting

Mounting type	Universalhalterung, M8-1,25x25
Installation dimensions/diameter [mm]	
Installation depth [mm]	
Connector	Kabel
Mating connector	
Reverse polarity protection	1
Socket	
Black wire	Masse
Red wire	Warnleuchte

Part no. WL-1468-61551

Others

Material (Housing)	Aluminium
Material (Diffusing lens)	Polycarbonat
Color (Housing)	Schwarz
Color (Mount)	Schwarz
Color (Diffusing lens)	Klar

Beam pattern

Variants

WL-1468-61551	12-110 V, rote Zone
---------------	---------------------

Accessories